

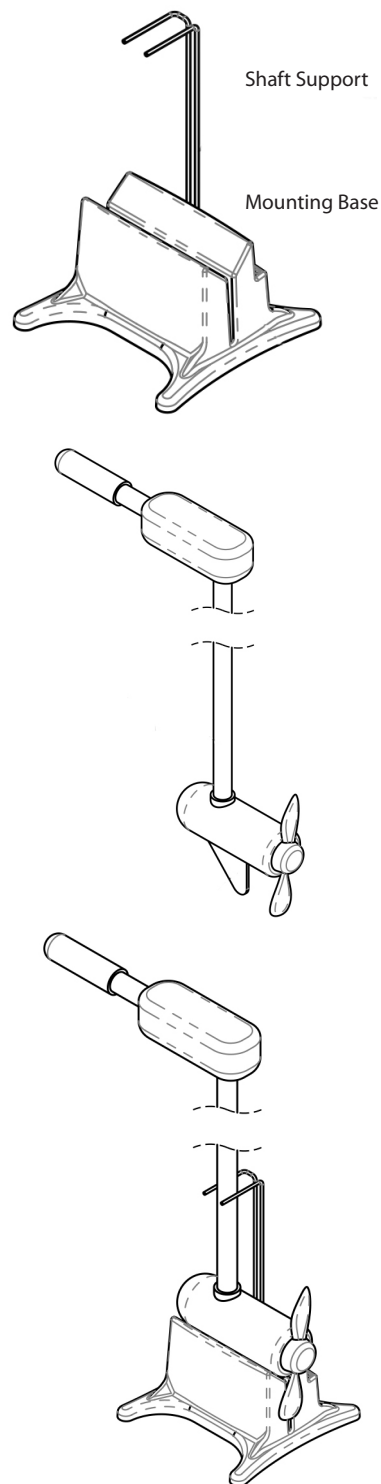
Pro Controll™ EZ Stand

Installation, Operating Instructions and Parts List

Fight the fish.
Not the trolling motor.



ITEM	QTY.	DESCRIPTION
1	1	SHAFT SUPPORT
2	1	MOUNTING BASE



1. Lower the trolling motor onto the base with the rudder of the motor sliding into the groove.
2. Move the motor forward as much as possible until the propeller almost touches the base and the shaft is opposite a slot.
3. Install the metal support in the slot that is opposite the motors shaft and press down to lock it into the plastic base.
4. The motor can now be lifted up and off the motor stand for use, and lowered back for storage without any further adjustment.

Manufactured in China by

RM Industries

1-913-721-9800

or email:
customerservice@procontroll.com

Register your product at:
www.ProControll.com